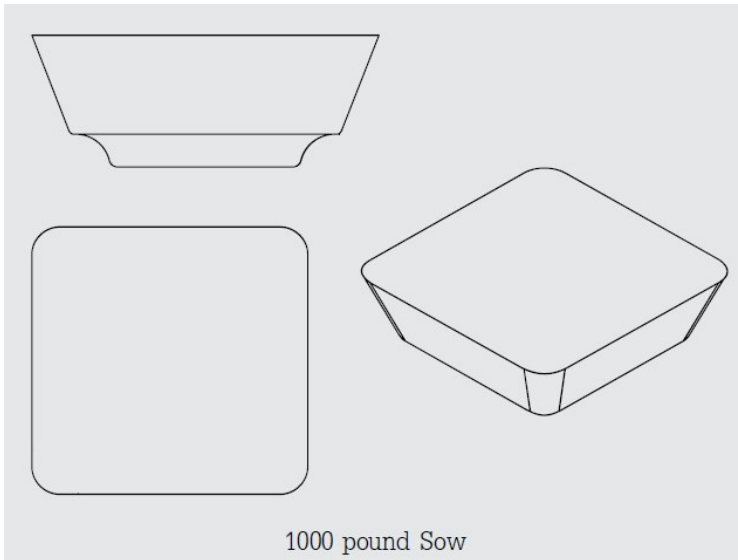


Aluminum Sow:

These types of ingots are mainly pure aluminum for manufacturers of electrical cables, foils and etc. The purity rate of these ingots is 99.80% and often used in remelting industries and they are offered as aluminum sow in international trade.



1000 pound Sows

- Each sow weighs between 450 to 550 Kg.
- without any sharp edge
- scale free
- crater free
- free from any non-aluminum mass
- without iron wedge

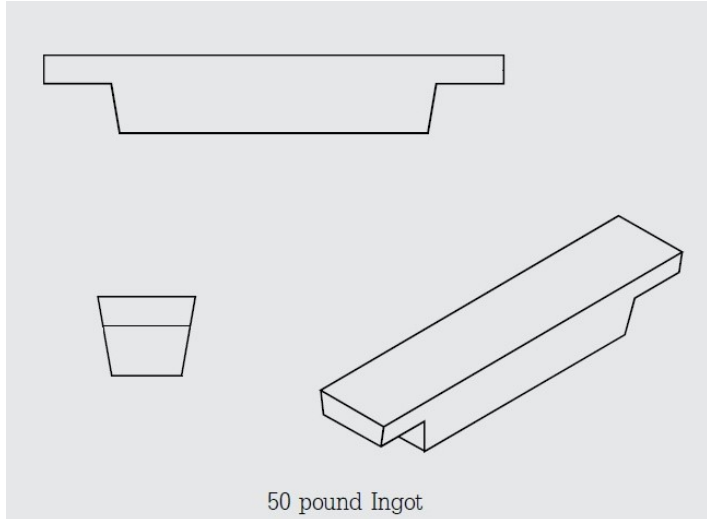
Chemical Analysis of Primary Aluminums Sows and Ingots

Grade			%Al	%Fe	%Si	Constituents								
Purity	ISO					AA/ASTM	Li%	Ni%	Cr%	Ti%	Zn%	Mg%	Mn%	Cu%
High	Al 99/80	P1015	Min	99.75	0.10	0.04	Trace	Trace	Trace	Trace	Trace	Trace	Trace	Trace
			Max	99.84	0.15	0.10	0.0008	0.0045	0.0010	0.0070	0.0060	0.0050	0.0010	0.0006
			Average	99.78	0.13	0.06	0.0005	0.0025	0.0010	0.0050	0.0030	0.0020	0.0006	0.0004
	Al 99/70	P1020	Min	99.70	0.14	0.04	Trace	Trace	Trace	Trace	Trace	Trace	Trace	Trace
			Max	99.77	0.20	0.10	0.0020	0.0050	0.0040	0.0070	0.0060	0.0050	0.0015	0.0015
			Average	99.72	0.17	0.07	0.0005	0.0030	0.0010	0.0050	0.0030	0.0010	0.0008	0.0005



Aluminum Ingot:

These types of products are mostly produced as pure alloy aluminum and employed in producing car making industries, casting industries, household manufacturing appliances and foils. These are also used in packing, hygienic industries and etc. The purity is 99.80%, and are known as P1020 in international trade.



50 pound Ingots

- each ingot weighs between 20 to 25 Kg
- without any sharp edge
- scale free
- crater free
- free from any non-aluminum mass
- the number of 50 pound ingots in each bundle is 44 pcs
- each bundle has at least two belts

Chemical Analysis of Primary Aluminums Sows and Ingots

Grade			%Al	%Fe	%Si	Constituents								
Purity	ISO	AA/ASTM				Li%	Ni%	Cr%	Ti%	Zn%	Mg%	Mn%	Cu%	
High	Al 99/80	P1015	Min	99.75	0.10	0.04	Trace	Trace	Trace	Trace	Trace	Trace	Trace	Trace
			Max	99.84	0.15	0.10	0.0008	0.0045	0.0010	0.0070	0.0060	0.0050	0.0010	0.0006
			Average	99.78	0.13	0.06	0.0005	0.0025	0.0010	0.0050	0.0030	0.0020	0.0006	0.0004
	Al 99/70	P1020	Min	99.70	0.14	0.04	Trace	Trace	Trace	Trace	Trace	Trace	Trace	Trace
			Max	99.77	0.20	0.10	0.0020	0.0050	0.0040	0.0070	0.0060	0.0050	0.0015	0.0015
			Average	99.72	0.17	0.07	0.0005	0.0030	0.0010	0.0050	0.0030	0.0010	0.0008	0.0005

